

D

C

B

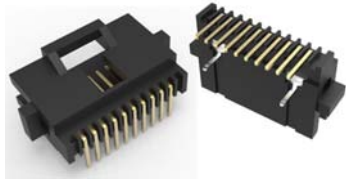
A



康霸子
KANGBAZ

RoHS

1



● SPECIFICATIONS

CURRENT RATING 1 AMP.

CONTACT RESISTANCE: 30 MΩ MAX.

INSULATION RESISTANCE: 1000 MΩ MIN.

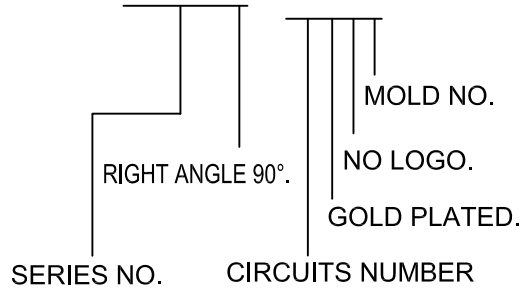
WITHSTANDING VOLTAGE: 250V AC, DC

● ENVIRONMENTAL

TEMPERATURE RANGE: -40°C~+105°C.

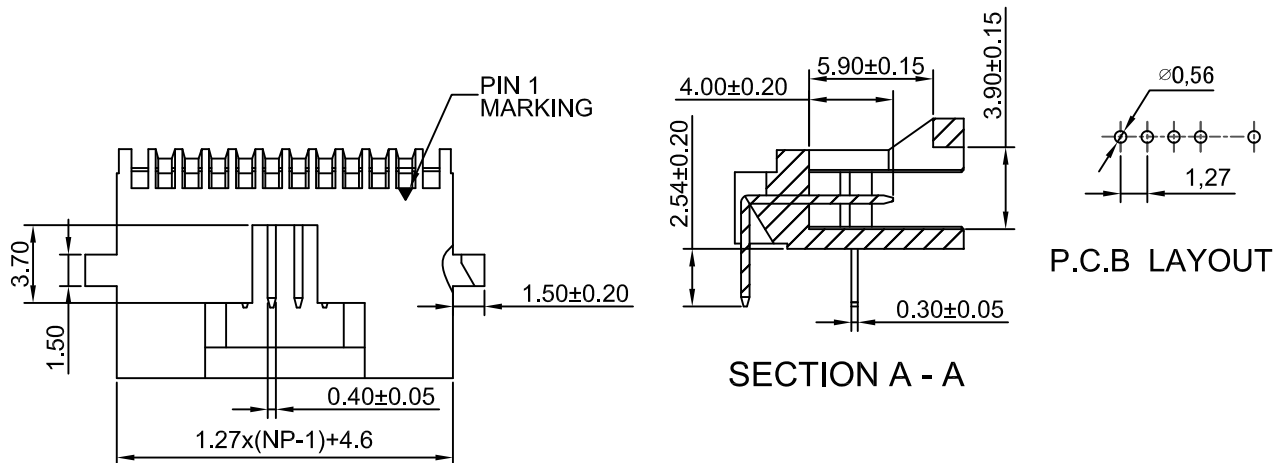
● PART NO.

K B 1.27R - XXGNN



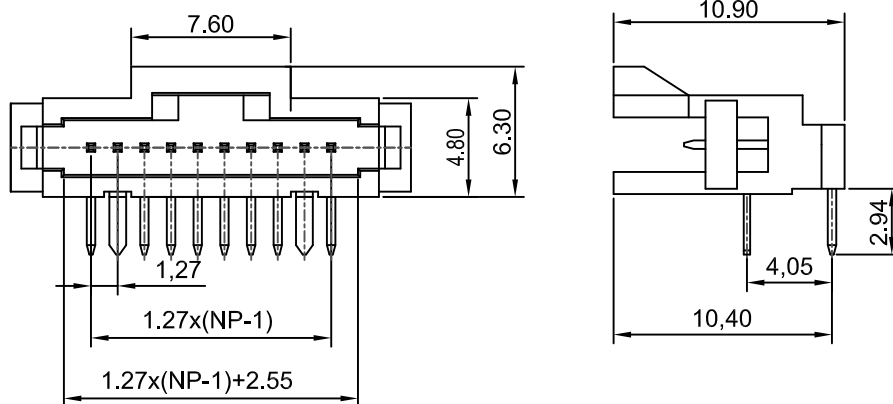
2

3



SECTION A - A

4



TOLERANCE
RANGE/公差範圍

STANDARD/一般公差 ±0.2

RAWN/繪圖

CHECK BY/審查

APPROVED BY/核准

PACKAGE/包裝

DATE/日期
2019.03.12

DATE/日期
2019.03.12

DATE/日期
2019.03.12

TUBE



康霸子
KANGBAZ

1.27mm PITCH 90° SHROUDED HEADER

PART NO./料號

KB1.27R-XXGNN

UNIT/單位
MM

MATERIAL/材質
PHOSPHOR BRONZE(S19+H)
GOLD PLATED(P10F-10NSFJL8VQ)

ANGLE OF VIEW/視角



PIN NUMBER/針數

4-30

REV/版本

A